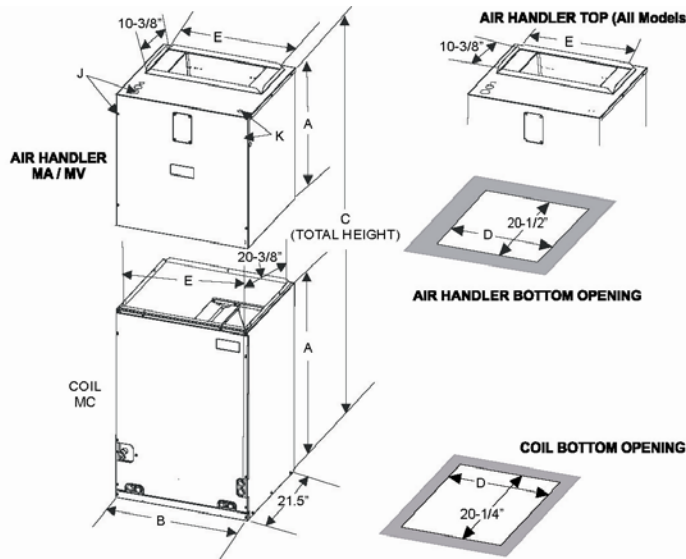


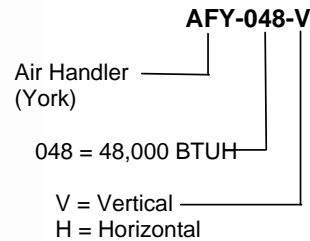
EarthLinked[®] AFY Air Handler Data Sheet



EARTHLINKED
TECHNOLOGIES



MODEL NOMENCLATURE



NOTE: Power wiring may be brought into the unit through one of the knockouts in either the top or the left side panel. Multiple knockouts are provided to accommodate all of the electric heat and transformer accessories that are available. Use the knockouts that provide the best wire routing for the accessory being used.



AIR HANDLER DIMENSIONS

ECR MODEL	YORK AIR HAND. YORK** HEATER	YORK COIL	DIMENSIONS - INCHES					WIRING KOs*, Inches		REFR. LINE SIZE, INCHES	
			A HEIGHT	B WIDTH	C TOTAL HEIGHT	D	E	J POWER	K CONTROL	LIQUID	VAPOR
AFY-018	MA08BN21	---	25	17-1/2	47	16-1/2	14-19/32	7/8 (1/2) 1-3/8 (1)	7/8 (1/2)	---	---
	0806 (7.5)	MC18B3XH1	22	14-1/2		13-1/2	13-3/8	---	---	3/8	3/4
AFY-024	MA08BN21	---	25	17-1/2	51-1/2	16-1/2	14-19/32	7/8 (1/2) 1-3/8 (1)	7/8 (1/2)	---	---
	0806 (7.5)	MC24B3XH1	26-1/2	17-1/2		16-1/2	16-3/8	---	---	3/8	7/8
AFY-030	MA12BN21	---	25	17-1/2	51-1/2	16-1/2	14-19/32	7/8 (1/2) 1-3/8 (1)	7/8 (1/2)	---	---
	1006 (9.6)	MC30B3XH1	26-1/2	17-1/2		16-1/2	16-3/8	---	---	3/8	3/4
AFY-036	MA12BN21	---	25	17-1/2	51-1/2	16-1/2	14-1/2	7/8 (1/2) 1-3/8 (1)	7/8 (1/2)	---	---
	1006 (9.6)	MC36B3XH1	26-1/2	17-1/2		16-1/2	16-3/8	---	---	3/8	7/8
AFY-042	MA16CN21	---	25	21	57	20	18-3/32	1-23/32 (1-1/4)	7/8 (1/2)	---	---
	1506 (14.4)	MC42C3XH1	32	21		20	19-7/8	---	---	3/8	7/8
AFY-048	MA16CN21	---	25	21	57	20	18-3/32	1-23/32 (1-1/4)	7/8 (1/2)	---	---
	1506 (14.4)	MC48C3XH1	32	21		20	19-7/8	---	---	3/8	7/8
AFY-060	MA20DN21	---	25	24-1/2	57	23-1/2	21-1/2	1-31/32 (1-1/2)	7/8 (1/2)	---	---
	1806 (17.6)	MC60D3XH1	32	24-1/2		23-1/2	23-3/8	---	---	3/8	7/8
AFY-072	MA20DN21	---	25	24-1/2	61	23-1/2	21-1/2	1-31/32 (1-1/2)	7/8 (1/2)	---	---
	2006 (19.2)	MC61D3XH1	36	24-1/2		23-1/2	23-3/8	---	---	3/8	7/8

*Parenthesis indicate conduit size.

** York heater numbers all have the prefix S1-4HK1650_ _ _ _ . () indicates kW @ 240V.

MODEL AFY AIR HANDLER ELECTRICAL DATA

Model	Electric Heater***		Blower Amps 208/230 ¹	MCA* per Circuit		OCP** per Circuit		75°C Wire Size - AWG	
	KW 240V	BTUH 240V		1	2	1	2	1	2
	AFY-018	7.5		25,600	1.5	41.0	---	45	---
AFY-024	7.5	25,600	1.5	41.0	---	45	---	8	---
AFY-030	9.6	32,800	3.5	54.4	---	60	---	6	---
AFY-036	9.6	32,800	3.5	54.4	---	60	---	6	---
AFY-042	14.4	49,100	4.0	55.0	25.0	60	25	8	10
AFY-048	14.4	49,100	4.0	55.0	25.0	60	25	8	10
AFY-060	17.6	60,100	7.4	52.3	45.8	60	50	6	8
AFY-072	19.2	65,500	7.4	56.5	50.0	60	50	6	8

¹Minimum Circuit Ampacity

**Overcurrent Protection Device, must be HACR type circuit breaker or time delay fuse.

***For 208 Volt, use .75 correction factor for kW and BTUH

EarthLinked[®] AFY Air Handler Data Sheet



EARTHLINKED
TECHNOLOGIES

ECR MODELS	BLOWER MOTOR SPEED	230 – 460 VOLT – 60 HZ									
		CFM ¹ @ EXTERNAL STATIC PRESSURE - IWC									
		0.1	0.2	0.3	0.4	0.5	0.6	0.7	0.8	0.9	1
AFY-018	High	1102	986	870	754	638	521	405	289	173	57
	Med.	831	737	644	551	457	361	271	178	84	N/A
	Low	615	537	458	379	300	221	142	63	N/A	N/A
AFY-024	High	1112	1001	890	780	569	558	447	336	225	114
	Med.	851	759	667	576	484	392	300	208	116	25
	Low	643	562	480	399	317	236	154	73	N/A	N/A
AFY-030	High	1429	1363	1290	1212	1133	1037	929	670	534	375
	Med.	1213	1153	1097	1037	977	896	697	549	453	220
	Low	1075	1032	990	927	873	770	611	494	405	212
AFY-036	High	1607	1533	1463	1395	1319	1044	857	725	673	673
	Med.	1308	1258	1197	1146	1097	887	742	648	608	609
	Low	1148	1108	1061	1017	976	807	690	613	582	582
AFY-042	High	1959	1874	1802	1708	1606	1486	1408	1264	953	810
	Med.	1631	1587	1542	1473	1395	1315	1218	967	821	533
	Low	1447	1431	1401	1363	1304	1241	1098	844	751	712
AFY-048	High	2018	1895	1772	1649	1525	1402	1279	1156	1033	910
	Med.	1684	1595	1506	1417	1328	1240	1151	1062	973	884
	Low	1561	1476	1392	1308	1223	1139	1055	970	896	801
AFY-060	High	2326	2235	2192	2107	2027	1906	1786	1538	1469	1368
	Med.	2150	2089	2036	2008	1944	1852	1692	1499	1416	1295
	Low	2012	1923	1834	1718	1676	1600	1447	1389	1311	1200
AFY-072	High	2357	2321	2254	2191	2139	1957	1859	1656	1556	1472
	Med.	2212	2144	2111	2069	1986	1862	1727	1566	1498	1369
	Low	2066	1934	1910	1817	1723	1646	1514	1442	1381	1245

¹ Includes Return Air Filter and Largest Electric Heater. Air Handler units are UL Listed up to 0.50" w.c. external static pressure, including air filter, wet coil and largest kW size heater.

NOTE: Air flow data shown above 0.50" w.c. external static pressure is for REFERENCE ONLY. Maximum allowable external static when electric heat is used is limited to 0.50" w.c. Maximum allowable external static pressure may also be limited by minimum CFM requirements for proper heat pump operation.