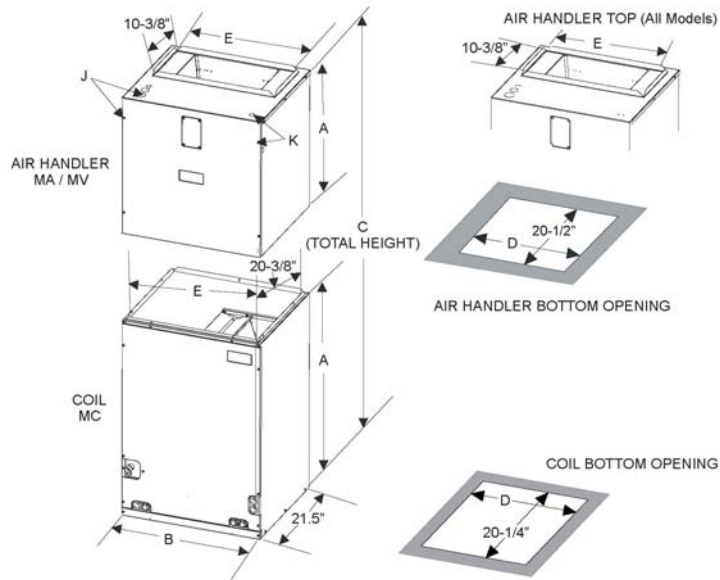


EarthLinked[®] AVY Air Handler Data Sheet



EARTHLINKED
TECHNOLOGIES



MODEL NOMENCLATURE

AVY-048-V

Air Handler ———
Variable Speed (York)

048 = 48,000 BTUH ———

V = Vertical ———
H = Horizontal



AIR HANDLER DIMENSIONS

ECR MODEL	YORK AIR HAND. YORK** HEATER	YORK COIL	DIMENSIONS - INCHES					WIRING KOs*, Inches		REFR. LINE SIZE, INCHES	
			A HEIGHT	B WIDTH	C TOTAL HEIGHT	D	E	J POWER	K CONTROL	LIQUID	VAPOR
AVY-024	MV12BN21	---	25	17-1/2	51-1/2	16-1/2	14-19/32	7/8 (1/2) 1-3/8 (1) 1-23/32 (1-1/4)	7/8 (1/2)	---	---
	0806 (7.5)	MC30B3XH1	26-1/2	17-1/2		16-1/2	16-3/8	---	---	3/8	3/4
AVY-036	MV12BN21	---	25	17-1/2	51-1/2	16-1/2	14-19/32	7/8 (1/2) 1-3/8 (1) 1-23/32 (1-1/4)	7/8 (1/2)	---	---
	1006 (9.6)	MC36B3XH1	26-1/2	17-1/2		16-1/2	16-3/8	---	---	3/8	7/8
AVY-048	MV16CN21	---	25	21	57	20	18-3/32	7/8 (1/2) 1-3/8 (1) 1-23/32 (1-1/4)	7/8 (1/2)	---	---
	1506 (14.4)	MC48C3XH1	32	21		20	19-7/8	---	---	3/8	7/8
AVY-060	MV20DN21	---	25	24-1/2	57	23-1/2	21-19/32	7/8 (1/2) 1-3/8 (1) 1-23/32 (1-1/4)	7/8 (1/2)	---	---
	1806 (17.6)	MC60D3XH1	32	24-1/2		23-1/2	23-3/8	---	---	3/8	7/8
AVY-072	MV20DN21	---	25	24-1/2	61	23-1/2	21-19/32	7/8 (1/2) 1-3/8 (1) 1-23/32 (1-1/4)	7/8 (1/2)	---	---
	2006 (19.2)	MC61D3XH1	36	24-1/2		23-1/2	23-3/8	---	---	3/8	7/8

*Parenthesis indicates conduit size.

**York Heater numbers all have the prefix S1-4HK1650 _ _ _ _ () indicates kW @ 240V.

MODEL AVY AIR HANDLER ELECTRICAL DATA

Model	Electric Heater***		Blower Amps 208/230'	MCA* per Circuit		OCP** per Circuit		75°C Wire Size - AWG	
	KW 240V	BTUH 240V		1	2	1	2	1	2
	AVY-024	7.5		25,600	4.3	44.5	---	45	---
AVY-036	9.6	32,800	4.3	55.4	---	60	---	6	---
AVY-048	14.4	49,100	5.0	56.9	25.0	60	25	6	10
AVY-060	17.6	60,100	7.0	54.6	45.8	60	50	6	8
AVY-072	19.2	65,500	7.0	58.8	50.0	60	50	6	8

*Minimum Circuit Ampacity **Overcurrent Protection Device, must be HACR type circuit breaker or time delay fuse. ***For 208 Volt, use .75 correction factor for kW and BTUH

EarthLinked[®] AVY Air Handler Data Sheet



EARTHLINKED
TECHNOLOGIES

COOLING AIR FLOW DATA						Jumper Settings	
AVY-024, -036		AVY-048		AVY-060, -072			
CFM		CFM		CFM			
High	Low	High	Low	High	Low	Cool Tap	Adj. Tap*
1307	882	1920	1321	2209	1394	A	B
1080	756	1699	1189	2022	1394	B	B
1270	862	1884	1296	2178	1381	A	A
943	689	1558	1094	1798	1378	B	A
1146	786	1714	1193	1965	1226	A	C
1050	726	1451	1037	1843	1143	C	B
870	632	1403	1009	1596	1226	B	C
771	594	1288	941	1700	1086	D	B
931	668	1336	978	1608	1023	C	A
693	565	1214	888	1493	967	D	A
851	624	1239	915	1430	911	C	C
655	567	1098	839	1334	877	D	C

HEATING AIR FLOW DATA						Jumper Settings	
AVY-024, -036		AVY-048		AVY-060, -072			
CFM		CFM		CFM			
High	Low	High	Low	High	Low	Cool Tap	Adj. Tap*
1270	791	1884	1217	2178	1217	A	A
943	714	1558	1065	1798	1036	B	A
931	643	1336	823	1608	748	C	A
693	567	1214	727	1493	551	D	A

All CFM's are shown at 0.5" w.c. external static pressure. These units have variable speed motors that automatically adjust to provide constant CFM from 0.0" to 0.6" w.c. static pressure. From 0.6" to 1.0" static pressure. CFM is reduced by 2% per 0.1" increase in static. Operation on duct systems with greater than 1.0" w.c. external static pressure is not recommended.

NOTE: At some settings, LOW COOL and/or LOW HEAT air flow may be lower than what is required to operate an air flow switch on certain models of electronic air cleaners. Consult the instructions for the electronic air cleaner for further details.

*The ADJ "D" tap should not be used.