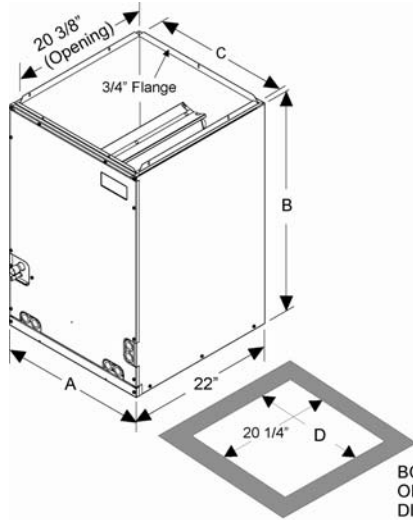


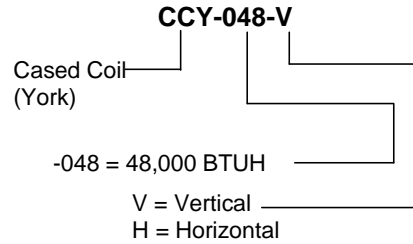
EarthLinked[®] CCY Cased Coil Data Sheet



EARTHLINKED
TECHNOLOGIES



MODEL NOMENCLATURE



ECR MODEL	YORK COIL	COIL DIMENSIONS				REFR. LINE SIZE, INCHES	
		DIMENSIONS - INCHES				LIQUID	VAPOR
		A	B	C	D		
CCY-018	MC18B3XH1	17-1/2	22	16-3/8	16-1/2	3/8	3/4
CCY-024	MC24B3XH1	17-1/2	26-1/2	16-3/8	16-1/2	3/8	3/4
CCY-030	MC30B3XH1	17-1/2	26-1/2	16-3/8	16-1/2	3/8	3/4
CCY-036	MC36B3XH1	17-1/2	26-1/2	16-3/8	16-1/2	3/8	7/8
CCY-042	MC42C3XH1	21	32	19-7/8	20	3/8	7/8
CCY-048	MC48C3XH1	21	32	19-7/8	20	3/8	7/8
CCY-060	MC60D3XH1	24-1/2	32	23-3/8	23-1/2	3/8	7/8
CCY-072	MC61D3XH1	24-1/2	36	23-3/8	23-1/2	3/8	7/8

ECR CASED COIL MODEL	AIR FLOW, CFM	ESP (IN. OF H ₂ O) WET COIL
CCY-018	600	0.20
	800	0.26
	1000	0.32
CCY-024	600	0.19
	800	0.24
	1000	.029
CCY-030	600	0.19
	800	0.24
	1000	0.29
CCY-036	600	0.15
	800	0.21
	1200	0.28
CCY-042	1200	0.20
	1400	0.25
	1600	0.30
	1800	0.34
CCY-048	1200	0.24
	1400	0.30
	1600	0.35
	1800	0.41
CCY-060	1600	0.27
	1800	0.33
	2000	0.38
	2200	0.44
CCY-072	1600	0.24
	1800	0.29
	2000	0.35
	2200	0.40

NOTE: All Cased Coils include a factory installed horizontal drain pan.