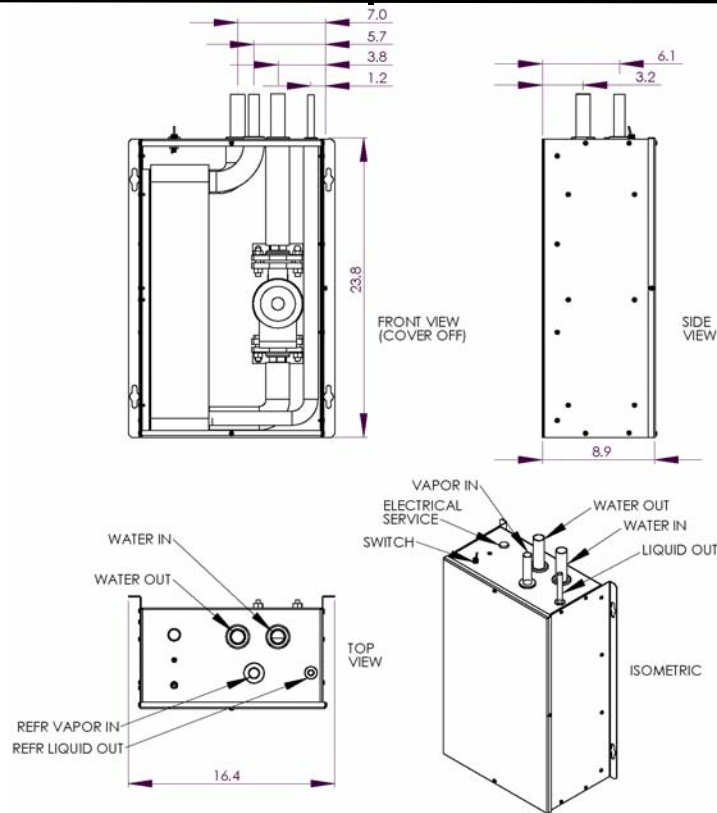


EarthLinked[®] HWM Hydronic Water Module Data Sheet



EARTHLINKED
TECHNOLOGIES



MODEL NO.	BTUH DELIVERED	ELAPSED TIME*
018	23,900	56 mins.
024	31,800	47 mins.
030	39,800	38 mins.
036	45,300	33 mins.
042	54,300	28 mins.
048	63,600	24 mins.
060	79,500	19 mins.
072	86,200	17 mins.

*Based on 60°F temperature rise per 50 gallons of water, at nominal compressor conditions.

HWM MODEL	TUBING CONNECTION SIZES (MSWT, INCHES O.D.)				LINE SET SIZES (MSWT, INCHES O.D.)	
	WATER IN	WATER OUT	REFR. IN	REFR. OUT	REFR. IN	REFR. OUT
HWM-1836	7/8	7/8	7/8	1/2	1/2	3/8
HWM-4248	1-1/8	1-1/8	7/8	1/2	5/8	1/2
HWM-6072	1-1/8	1-1/8	7/8	1/2	3/4	5/8

IMPORTANT

“REFR. IN” and “REFR. OUT” connections and line set sizes above refer to HWM operating in heating mode (operating as a condenser).

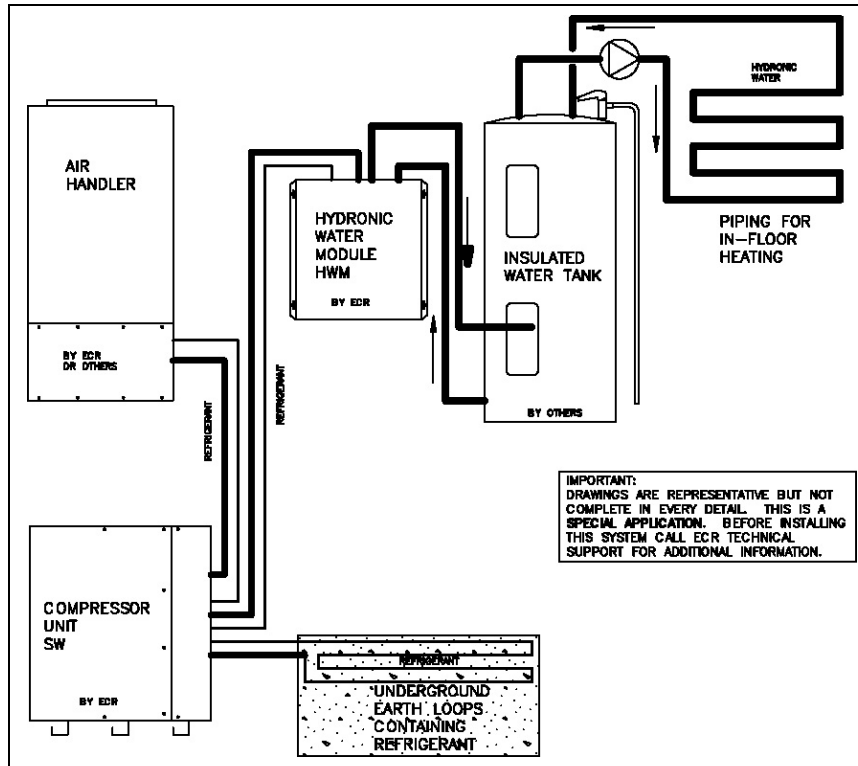
IMPORTANT

Maximum hot water temperature from the Hydronic Water Module is 120°F.

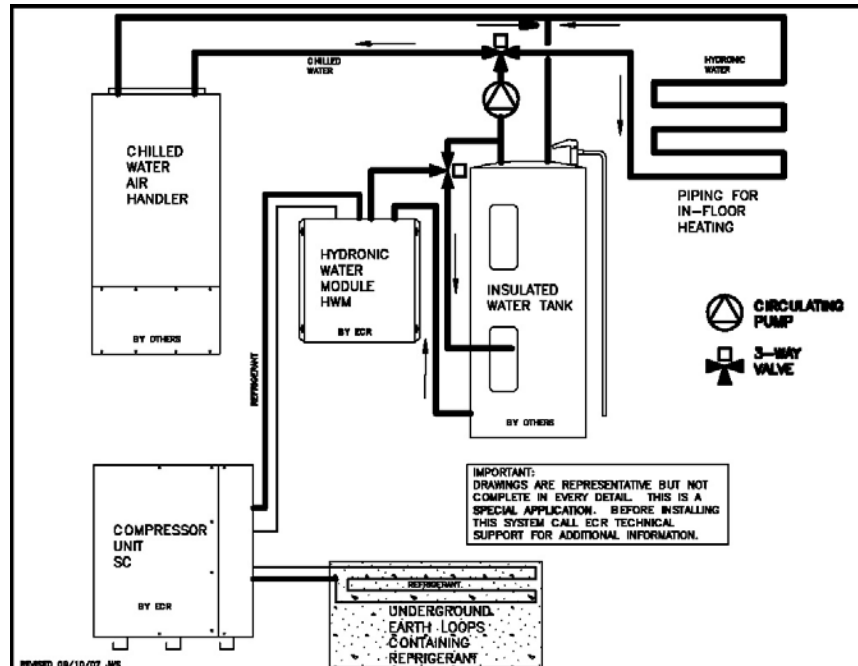
EarthLinked[®] HWM Hydronic Water Module Data Sheet



EARTHLINKED
TECHNOLOGIES



Typical Radiant Panel Hydronic Heating System



Typical Chilled Water Cooling and Radiant Panel Hydronic Heating System