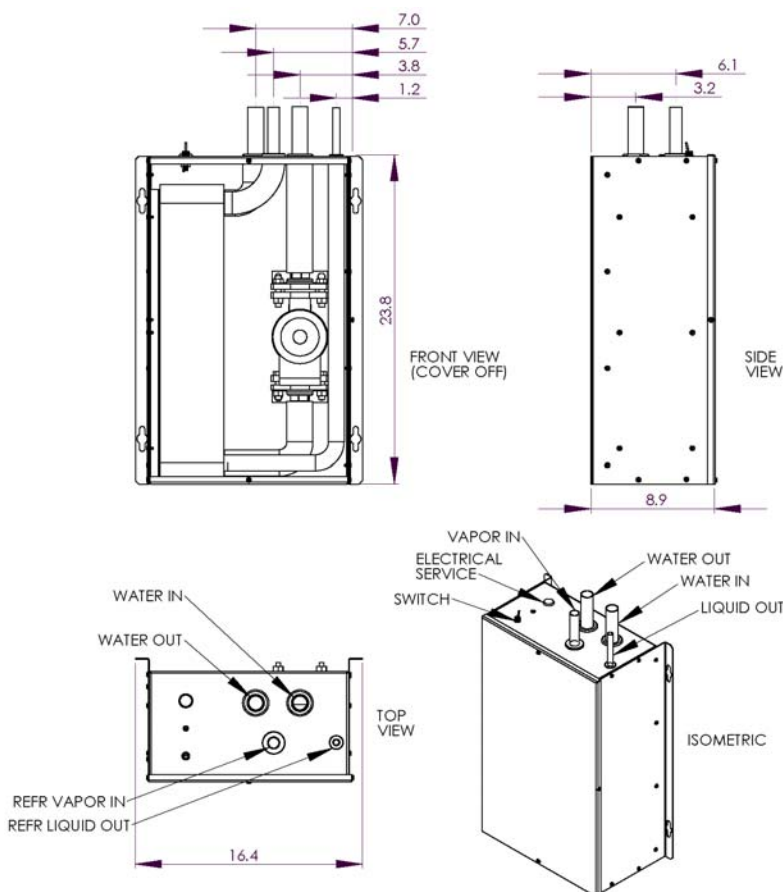


EarthLinked[®] DWM Domestic Water Module Data Sheet



EARTHLINKED
TECHNOLOGIES



MODEL NO.	BTUH DELIVERED	ELAPSED TIME*
018	23,900	56 mins.
024	31,800	47 mins.
030	39,800	38 mins.
036	45,300	33 mins.
042	54,300	28 mins.
048	63,600	24 mins.
060	79,500	19 mins.
072	86,200	17 mins.

*Based on 60°F temperature rise per 50 gallons of water, at nominal compressor conditions.

DWM MODEL	TUBING CONNECTION SIZES (MSWT, INCHES O.D.)				LINE SET SIZES (MSWT, INCHES O.D.)	
	WATER IN	WATER OUT	REFR. IN	REFR. OUT	REFR. IN	REFR. OUT
DWM-1836	7/8	7/8	1/2	1/2	1/2	3/8
DWM-4248	1-1/8	1-1/8	1/2	1/2	5/8	1/2
DWM-6072	1-1/8	1-1/8	1/2	1/2	3/4	5/8

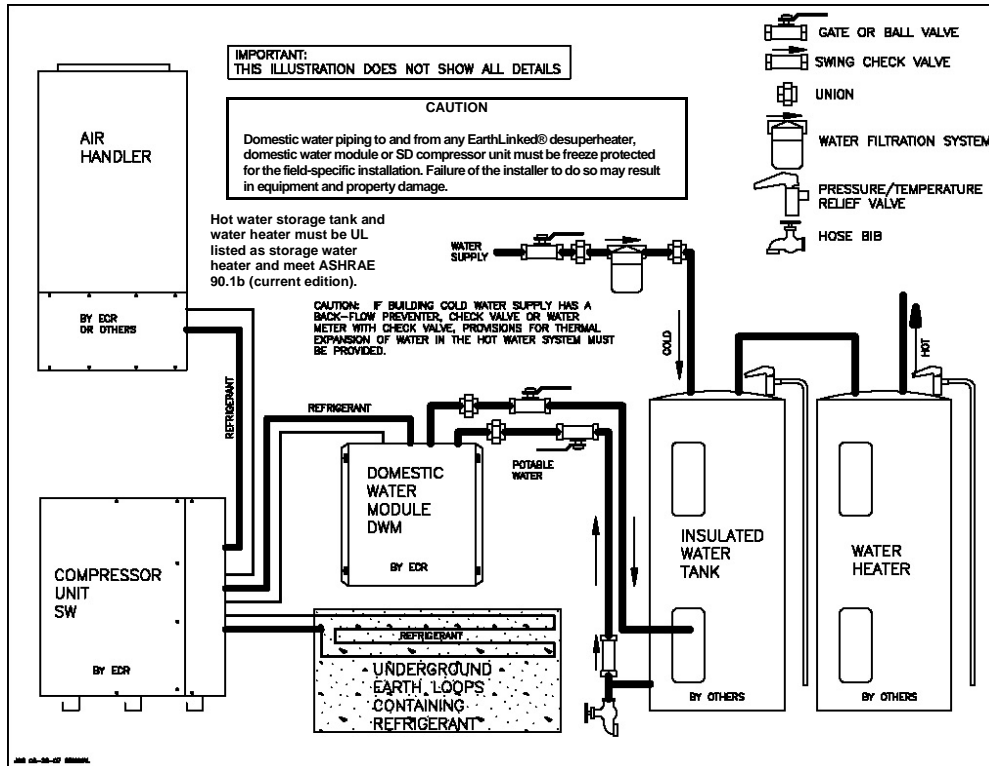
IMPORTANT

Maximum hot water temperature from the Domestic Water Module is 120°F.
If higher water temperatures are required, a booster water heater,
as shown on reverse side, is necessary.

EarthLinked[®] DWM Domestic Water Module Data Sheet

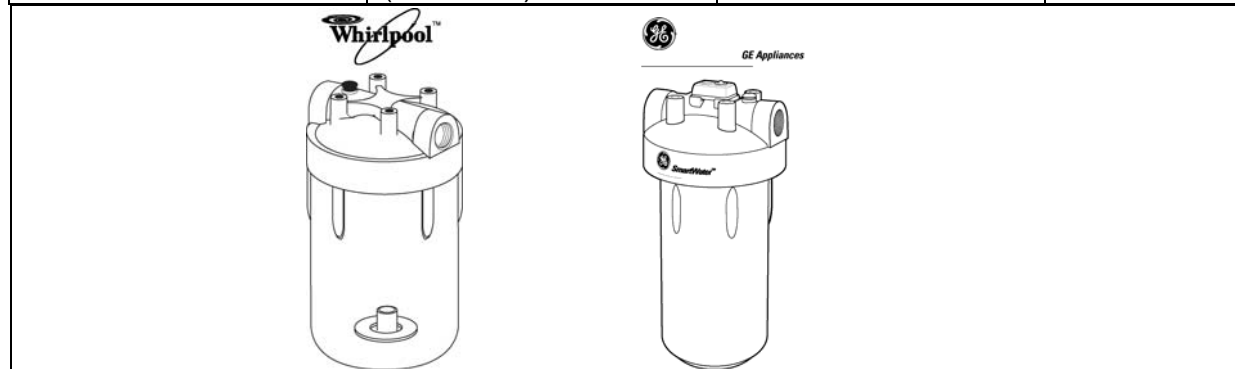


EARTHLINKED
TECHNOLOGIES



Typical DWM Application showing Water Filtration System and Water Piping Details

FILTRATION SYSTEM MODEL	REPLACEMENT CARTRIDGE MODEL	DIMENSIONS & CONNECTIONS	RETAIL SOURCE
Whirlpool WHCF-DWHBB	WHCF-GD25BB (25 micron)	13-1/4 x 7-1/2 x 7-1/2" 1" FPT	Lowes
General Electric GNWH35F	FXHSC (30 micron)	14 x 8 x 8" 1" FPT	Home Depot



Recommended Water Filtration Systems