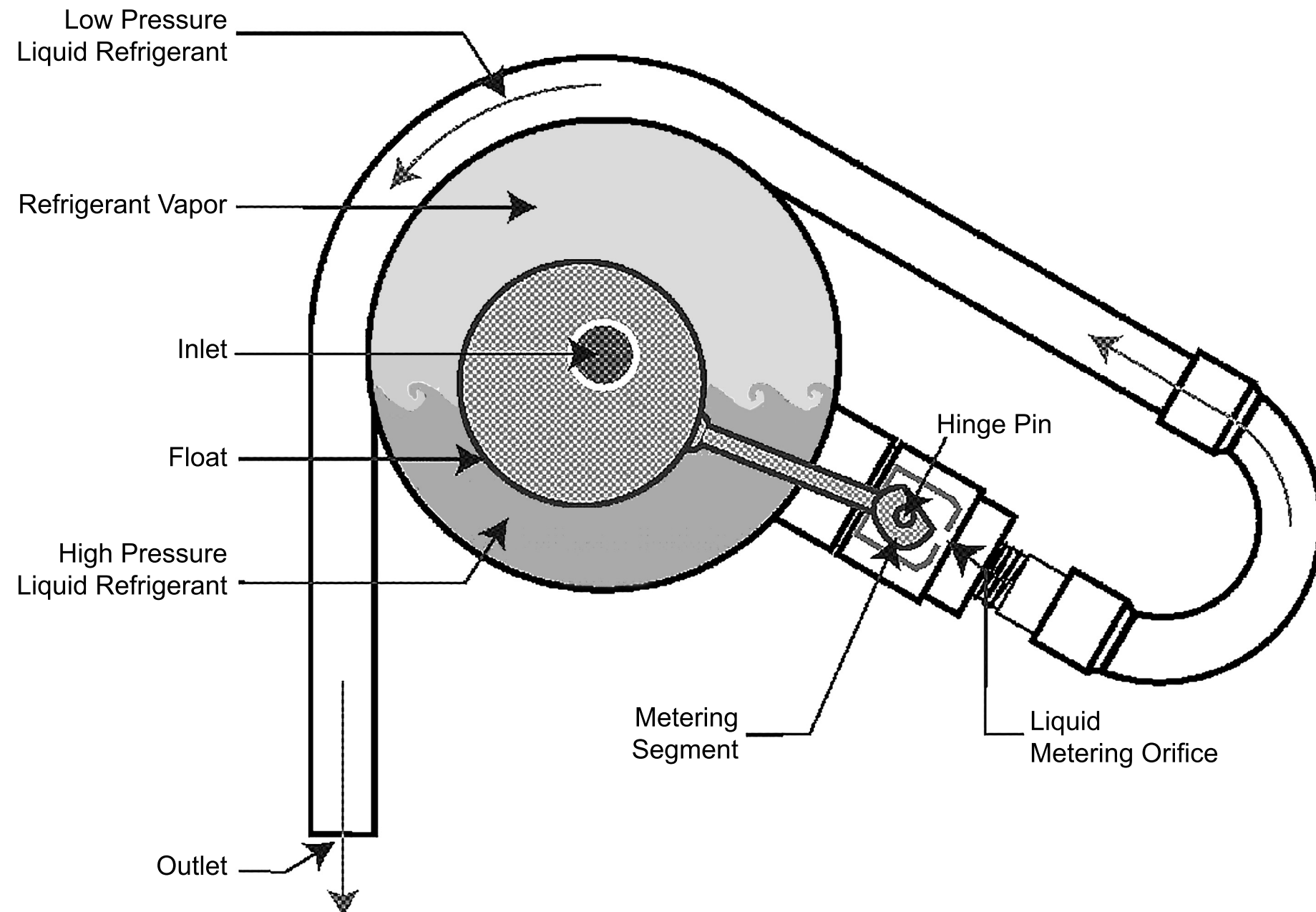


# Liquid Flow Control (LFC)



## Liquid Flow Control Advantages

- Coordinates with the condenser to set the proper rate of refrigerant flow for the entire system.
- Prevents vapor from “blowing through” from the condenser.
- Ensures zero subcooling so that all of the condenser is active.
- Reduces discharge pressure.
- Reduces compressor power requirements as the result of lowered discharge pressure.